

### SPECIFICATIONS

**Material:** Boot: Neoprene.

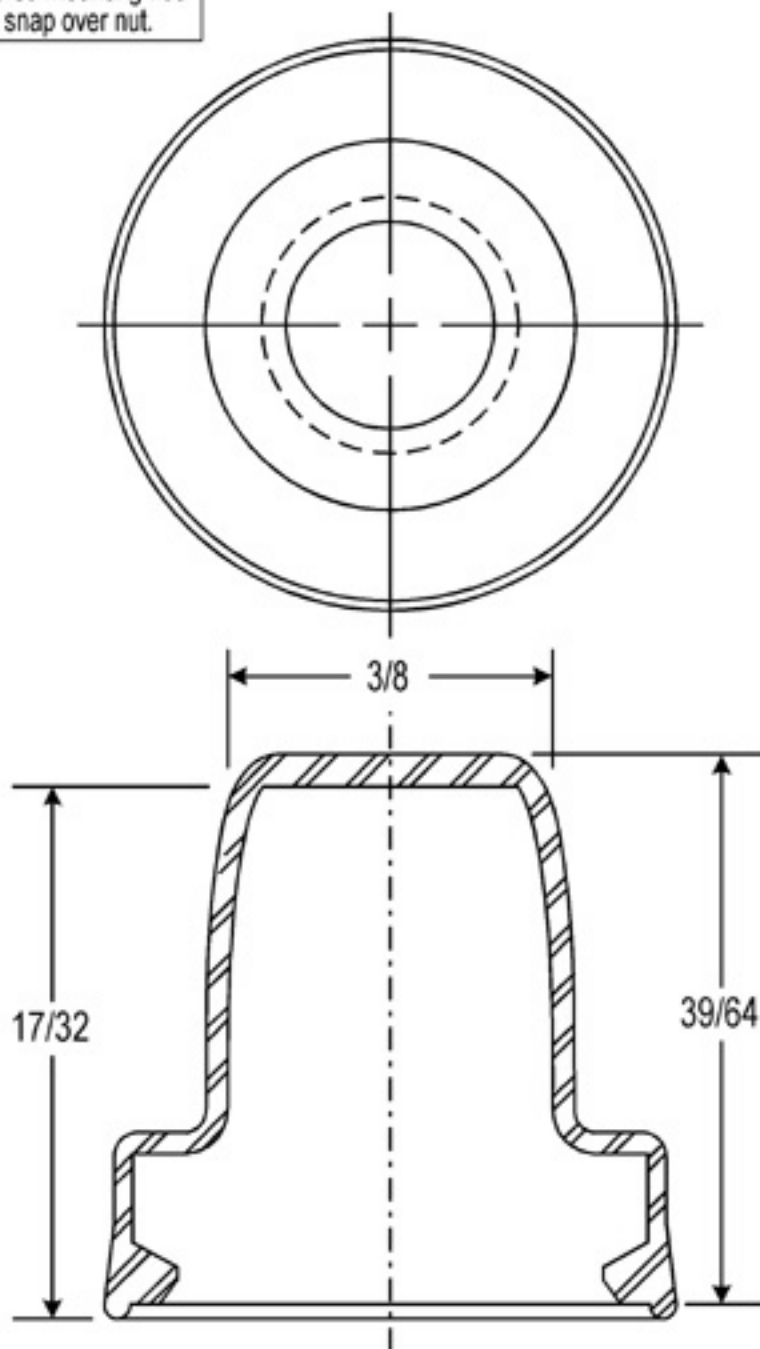
**Color** black (other materials and colors available on special order.)

**Temperature Range:** -65°F to +300°F

**Shelf Life:** 2 years.

**Installation:** A. Mount the switch using SNAPSEEL® shouldered mounting nut.

B. Press SNAPSEEL® over switch actuator and snap over nut.



NOTE: MOUNTING NUT NOT INCLUDED - PURCHASE SEPARATELY IF NEEDED.

C	CAD COMPUTER GENERATED		9/23/02
B	REMOVED TOP OF BOOT, 43/61 WAS 23/32	NK	11-2-72
A	ALTERED SHAPE OF BOOT	T.C.	8-12-69
REV.	DESCRIPTION		DATE

MAXIMUM AND MINIMUM MEASUREMENTS ARE STATED DIRECTLY ON EACH DIMENSION.

MAT'L:	NEOPRENE	TITLE:	SNAPSEEL® PUSH BUTTON (1211/5)	ENG. DWN.	N.K.S.	9-29-67
FINISH:	BLACK		APM-HEXSEAL CORPORATION	CHKD.		
				SCALE	4:1	DWG. NO. 1211/5

THIS DRAWING COVERS PROPRIETARY ITEM AND IS THE PROPERTY OF THE APM-HEXSEAL CORPORATION. THIS DRAWING IS NOT TO BE COPIED OR USED WITHOUT THE WRITTEN APPROVAL OF AN OFFICER OF THE APM-HEXSEAL CORPORATION.